



## Agilo Seating



USER MANUAL AGILO-EN



4102971B

© 2022 Scout Mobility BV

All rights reserved.

The information provided herein may not be reproduced and/or published in any form, by print, photoprint, microfilm or any other means whatsoever (electronically or mechanically) without the prior written authorization of Scout Mobility BV.

The information provided is based on general data concerning the construction known at the time of the publication of this manual. Scout Mobility BV executes a policy of continuous improvement and reserves the right to changes and modifications.

The information provided is valid for the product in its standard version. Scout Mobility BV cannot be held liable for possible damage resulting from specifications of the product deviating from the standard configuration.

The available information has been prepared with all possible diligence, but Scout Mobility BV cannot be held liable for possible errors in the information or the consequences thereof. Scout Mobility BV accepts no liability for loss resulting from work executed by third parties.

Names, trade names, etc. used by Scout Mobility BV may not, as per the legislation concerning the protection of trade names, be considered as being available.

2022-02

<b>1</b>	<b>FOREWORD .....</b>	<b>4</b>
1.1	CE DECLARATION OF CONFORMITY.....	4
1.2	WARRANTY .....	4
1.3	VISUAL IMPAIRMENT .....	4
1.4	INCIDENT REPORTING .....	5
<b>2</b>	<b>GENERAL DESCRIPTION .....</b>	<b>5</b>
2.1	PRODUCT DESCRIPTION AGILO .....	5
<b>3</b>	<b>GENERAL OPERATIONS.....</b>	<b>6</b>
3.1	SEAT CUSHION: REMOVING / REPLACING .....	6
3.2	BACKREST: REMOVING / REPLACING .....	7
3.3	LEGREST: REMOVING / REPLACING.....	7
3.4	ARMREST: REMOVING / REPLACING .....	8
3.5	BACKREST (FRAME): FOLDING DOWN .....	8
3.6	HEADREST .....	8
<b>4</b>	<b>SETTING THE SEATING SYSTEM .....</b>	<b>9</b>
4.1	SEAT DEPTH SETTING.....	9
4.2	SEAT WIDTH SETTING .....	10
4.3	BACKREST ANGLE SETTING.....	10
4.4	LEGREST SETTINGS .....	11
4.5	ARMREST SETTINGS .....	12
4.6	HEADREST HEIGHT (FIG 4.15).....	14
4.7	HIP BELT.....	15
<b>5</b>	<b>ADJUSTMENTS .....</b>	<b>16</b>
5.1	COMFORT LEGRESTS.....	16
5.2	HEADREST WITH QUICK RELEASE LEVERS .....	16
5.3	SIDE PROFILES.....	16
<b>6</b>	<b>GETTING IN AND OUT OF THE WHEELCHAIR (TRANSFER) .....</b>	<b>17</b>
<b>7</b>	<b>REDUCING THE WHEELCHAIR SIZE .....</b>	<b>18</b>
<b>8</b>	<b>MAINTENANCE.....</b>	<b>18</b>
8.1	MAINTENANCE TABLE.....	18
8.2	CLEANING THE UPHOLSTERY .....	18

## 1 Foreword

The user manual for this electric wheelchair consists of three documents. Read the entire user manual carefully before taking the product into use. The information provided by this manual is essential for the safe use and proper care (cleaning) of the wheelchair seating system (AGILO).

If one of these user manuals was not included with your wheelchair, please contact your dealer immediately. In addition to this user manual, there is also a service manual for qualified specialists.

This Seating user manual will refer, where necessary, to one of the other user manuals. This is indicated as follows:

- **GENERAL**
- **CONTROLLER:** Refers to the user manual for the controllers.



Strictly follow the procedures with a caution symbol! These procedures can, if they are not executed properly, result in human injury or damage to the product or the environment.

### 1.1 CE Declaration of Conformity



The product is in conformity with the provisions of the Medical Devices Regulation (MDR) and thus has CE marking. See also User Manual X10-EN .

### 1.2 Warranty

The warranty stipulations applicable to the seating system are identical to and incorporated in the wheelchair manual.

### 1.3 Visual impairment

If you have a visual impairment you can find a digital (PDF) version of this user manual at [www.scoutmobility.nl](http://www.scoutmobility.nl).

You can also request a large-print paper version by contacting Scout Mobility or your local dealer. Contact information can be found on the back of this user manual.

## **1.4 Incident reporting**

Notice to the user and/or patient : Any serious incident that has occurred in relation to the device should be reported to the manufacturer and the competent authority of the Member State in which the user and/or patient is established.

## **2 General description**

### **2.1 Product description AGILO**

The wheelchair is equipped with the AGILO seating system. The AGILO seating system provides excellent support for the head, torso, arms and legs. Optimal body support ensures maximum independence for the wheelchair user.

The wheelchair must be adjusted by a qualified specialist. Incorrect settings may have negative consequences for the sitting posture and can cause serious injuries (decubitus) to the user .



Please study this manual carefully before you use the wheelchair.

### 3 General operations

#### 3.1 Seat cushion: Removing / replacing

**Removing the seat cushion** (fig 3.1).

1. Pull the seat cushion upward to remove it from the seat.

Replacing the seat cushion (fig 3.2). Click the seat cushion onto the seat frame.

Make sure the rear end is hooked under the brackets.

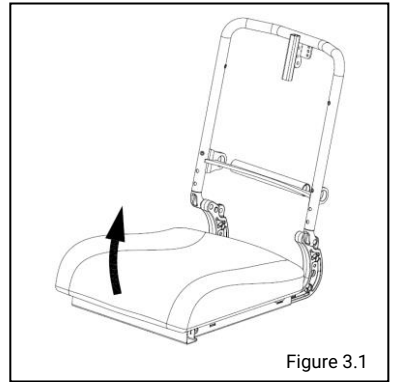


Figure 3.1



Always check if the seat is clicked in place securely.

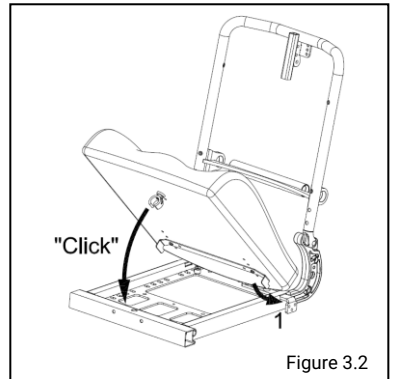


Figure 3.2

### 3.2 Backrest: Removing / replacing

#### Removing the backrest (fig 3.3).

Slide the backrest clips up (1).

Take away the backrest upward (2).

#### Replacing the Backrest (fig 3.3).

Position the backrest to the frame onto the height adjusters.

Push the Q-clips back in place.

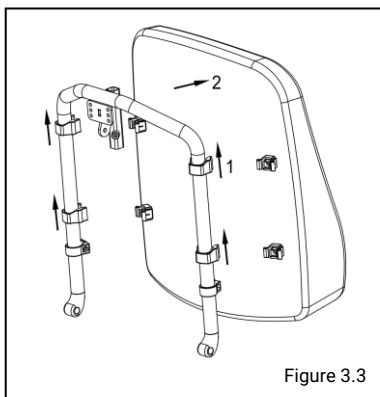


Figure 3.3

### 3.3 Legrest: Removing / replacing

#### Removing (fig 3.4).

Loosen the calf strap.

Push the catch to the rear in order to unlock the leg rest.

Swing the leg rest outwards.

Remove the leg rest from its bracket by lifting.

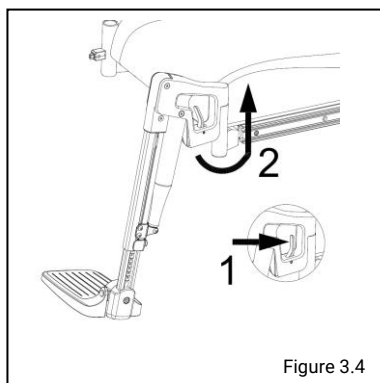


Figure 3.4



You should hear a click when re-placing the leg rest. This indicates that the leg rest has locked correctly into place.

### 3.4 Armrest: Removing / replacing

Removing the armrest (fig 3.5).  
Push the lever to the back to unlock the armrest.

Take the armrest out.

Replacing the armrest (fig 3.3).

Place the armrest into the armrest holder.

Lock the armrest by putting the lever in a vertical position.

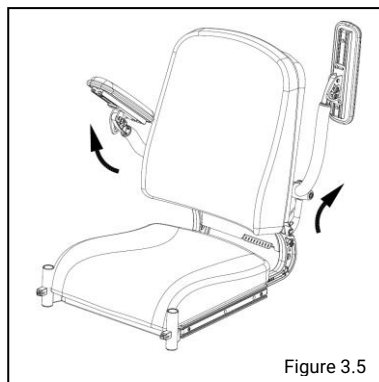


Figure 3.5

### 3.5 Backrest (frame): Folding down

Remove the quick release axle (1) from the upper position (2) (fig 3.6).

Fold down the backrest (3) (fig 3.6).

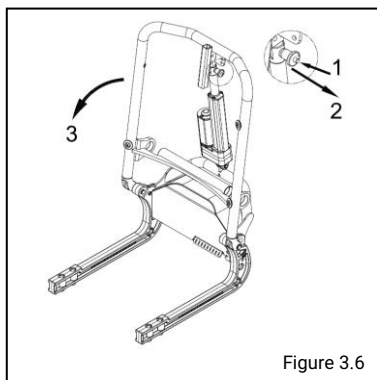


Figure 3.6

### 3.6 Headrest

Removing the headrest (fig 3.7).

Loosen the wing bolt (1) to unlock the headrest.

Take the headrest (2) out.

Replacing the headrest (fig 3.7).

Place the headrest into the head rest holder.

Lock the headrest by putting the lever in a vertical position.

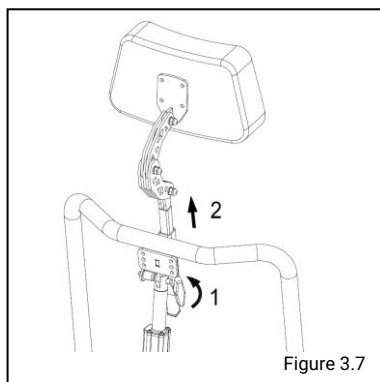


Figure 3.7



## 4 Setting the seating system

For setting seat system, the following tools are needed:

- Spanner 13 mm
- Allen key 4, 5 and 6.

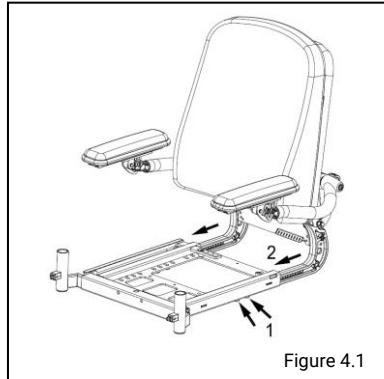
### 4.1 Seat depth setting

#### Seat depth by backrest frame (fig 4.1).

Loosen the bolts (1) on both sides of the seat frame.

Slide the frame (2) in the required seat depth position.

Tighten the bolts on both sides of the seat frame.



#### Seat depth by positioning seat cushion (fig 4.2).

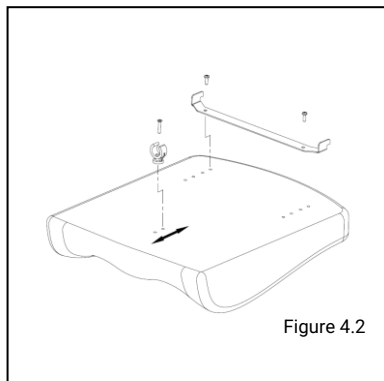
Remove the seat (fig 3.1).

Place the clamps in the right positions, there are 2 depth options available.

Click the seat cushion onto the seat frame.



Check if the seat is clicked in place securely.



Make sure that there is at least 2 cm of free space between the back of the knee and the front of the seat to ensure **good blood circulation**.

## 4.2 Seat width setting

### Seat width setting by armrests (fig 4.3).

Loosen the set screw (1).  
Slide the armrest in the desired position.  
Tighten the set screw.

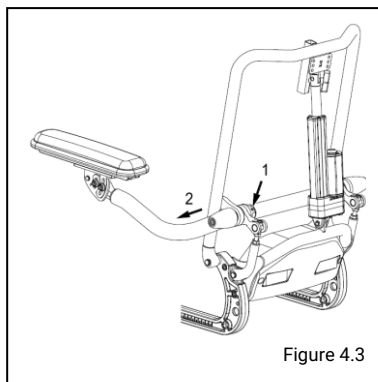


Figure 4.3

### Seat width setting by legrests (fig 4.4).

Loosen the screws in the bottom of the seat frame(1).  
Slide the legrest socket (2) in the desired (width) position.  
Tighten the screws (1).

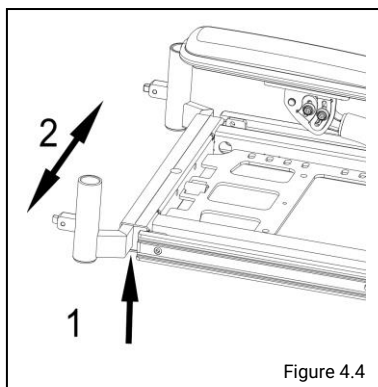


Figure 4.4

## 4.3 Backrest angle setting

See figure 4.5

Loosen the bolt (1) of the angle adjuster.  
Set the desired angle of the backrest (2).  
Place back and tighten the bolt.

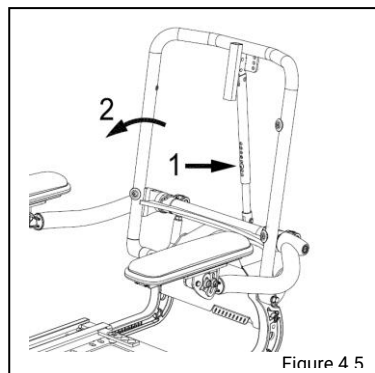


Figure 4.5

## 4.4 Legrest settings

### Lower leg length (fig 4.6).

Loosen the set screw (1).  
Slide the footplate in the desired position (2).  
Tighten the bolt.



Make sure that there is sufficient free space under the footplates to operate the wheelchair over obstacles.

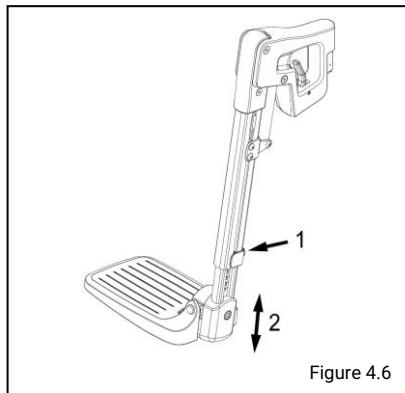


Figure 4.6

### Angle of the footplate (fig 4.7)

Loosen the bolt (1).  
Set the footplate in the desired angle (2).  
Tighten the bolt.

### Legrests width setting (fig 4.4)

See chapter 4.2

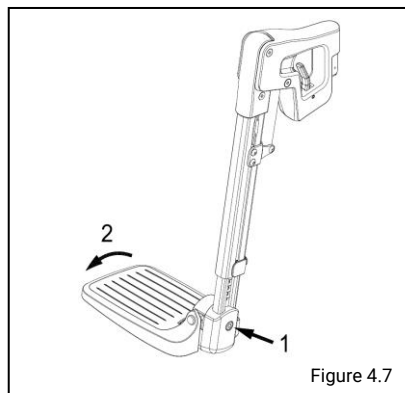


Figure 4.7

### Angle of the leg rest (fig 4.8)

Loosen the bolts (1).  
Set the leg rest in the desired angle (2).  
Tighten the bolts.

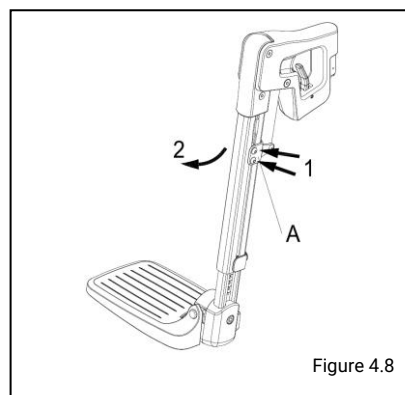


Figure 4.8

### **Calfplate height setting (fig 4.9).**

Loosen the bolts (1).  
Slide the calfplate in the desired position (2).  
Tighten the bolts.

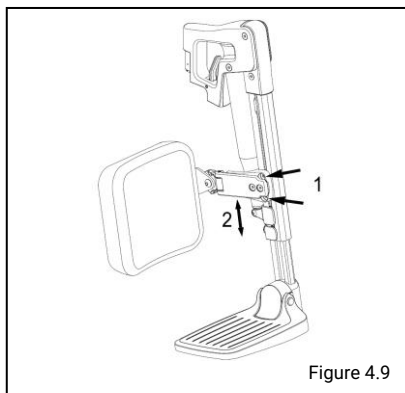


Figure 4.9

### **Calfplate depth setting (fig 4.10).**

Loosen the bolts (1).  
Slide the calfplate in the desired depth position (2).  
Tighten the bolts.

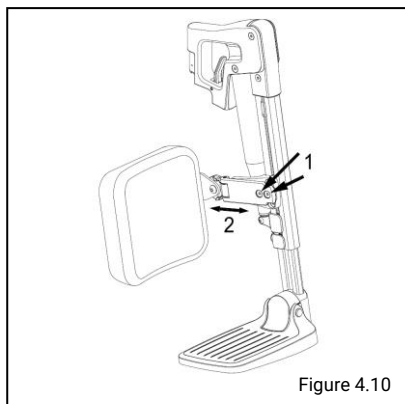


Figure 4.10

## **4.5 Armrest settings**

### **Armrest height and -angle setting (fig 4.11).**

Loosen the nuts (1).  
Turn the bolt (2) to set the armrest in the desired position.  
Tighten the nuts (1).  
Loosen the screws (3).  
Set the arm pad in the desired angle.  
Tighten the screws (3).

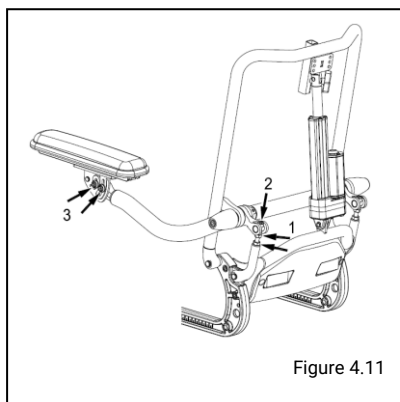


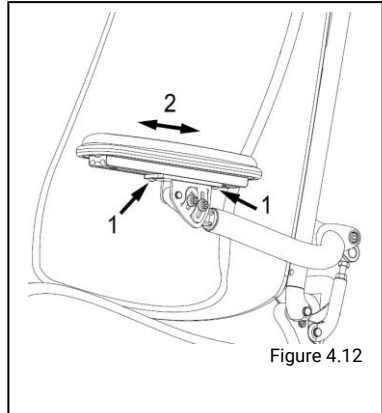
Figure 4.11



Make sure that the arms are supported well, without the shoulders being pushed upward.

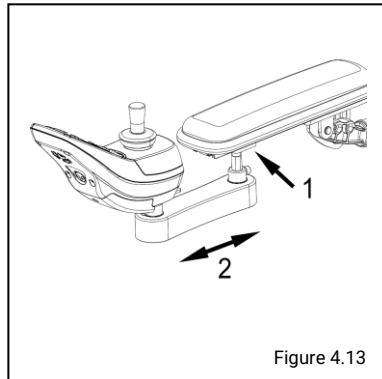
**Armrest depth setting (fig 4.12).**

Loosen the bolts (1).  
Slide the armrest in the desired position (2).  
Tighten the bolts.



**Remote depth setting (fig 4.13).**

Loosen the bolts (1).  
Slide the control in the desired position (2).  
Tighten the bolt.



**Remote height setting (fig 4.14).**

Loosen the bolts (1).  
Slide the control in the desired height position (2).  
Tighten the bolt.

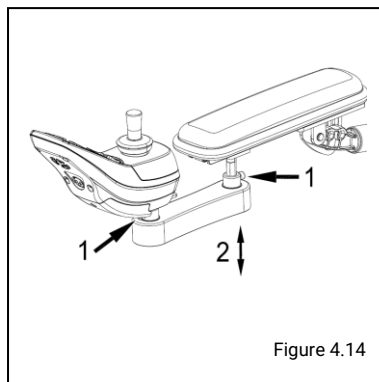


Figure 4.14

**4.6 Headrest Height (fig 4.15).**

Loosen the clamp screw (1) to unlock the headrest.  
Slide the headrest in the desired position (2).  
Lock the headrest tightening the clamp screw.

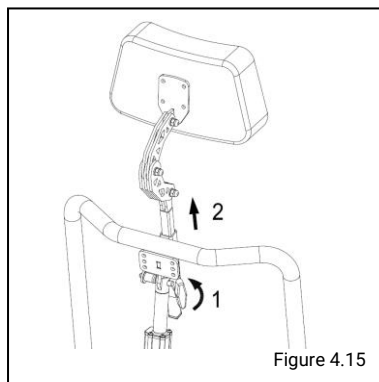


Figure 4.15

**Position (fig 4.16).**

Loosen the bolts (1) (x3).  
Put the headrest in the desired position (2).  
Tighten the bolts (x3).

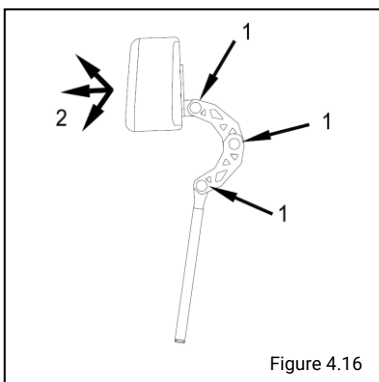


Figure 4.16

#### 4.7 Hip belt

It is possible for the wheelchair to be fitted with a positioning belt. The hip belt offers extra seating stability under normal use.

The hip belt is attached as follows (figure 4.18):

Attach the belt buckle on one of the two positions.

Pass the belt through the buckle.

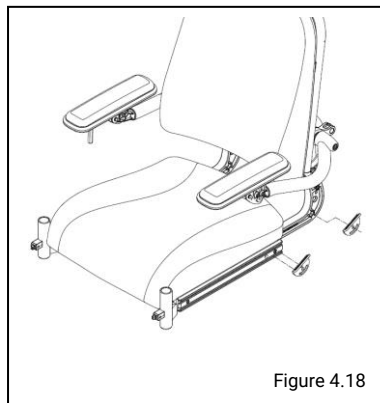


Figure 4.18



**Check that the hip belt is correctly adapted to the wheelchair user. The belt should lie firmly over the hip at an angle of approx. 45° (fig 4.19).**

**Placing the belt over the hip, against the soft skin of the stomach, can result in the wrong sitting position and the user sliding forward in the wheelchair.**

**Make sure the belt is clean and that the locking mechanism works at all times. The belt and locking mechanism can be cleaned using a damp cloth.**

**Never use the hip belt as a safety belt when transporting the user in the wheelchair.**

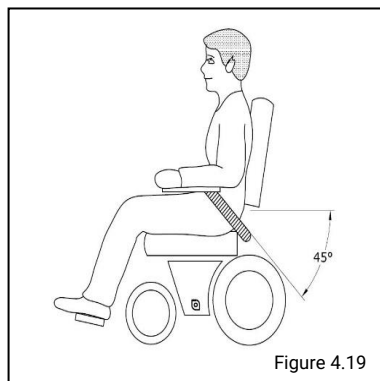


Figure 4.19

## 5 Adjustments

### 5.1 Comfort legrests

#### Knee angle (fig 5.1).

The angle of the comfort leg rests can be adjusted independently of each other.

Push handle forwards. Lift your leg. Release the handle when in the desired position.

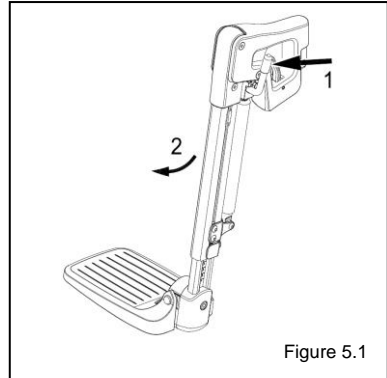


Figure 5.1

### 5.2 Headrest with quick release levers

#### Position (fig 5.2).

Loosen the clamps (x3) by a few turns. Adjust to the desired position. Tighten the clamps (x3) securely.

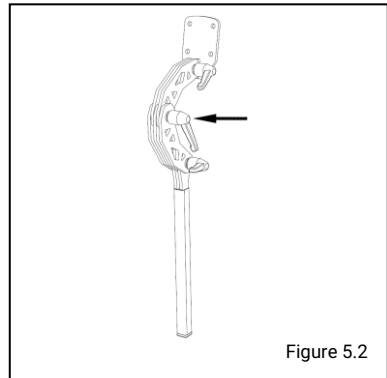


Figure 5.2

### 5.3 Side profiles

#### Width (fig 5.3).

Remove the seat cushion.

Loosen the screws at the bottom of the seat frame (1)

Adjust the Side profiles (2)

Tighten all screws.

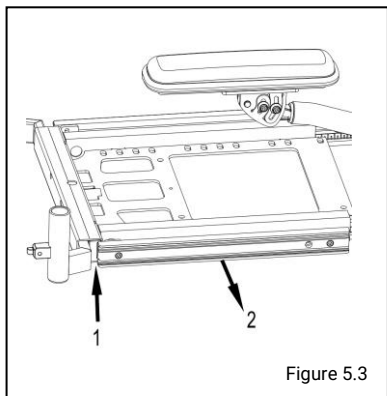


Figure 5.3



## 6 Getting in and out of the wheelchair (transfer)



**Do not stand on the footplates. These have not been designed to accommodate the full weight of a person. In addition, this could cause the wheelchair to topple over. Before making a transfer always switch of the controller.**

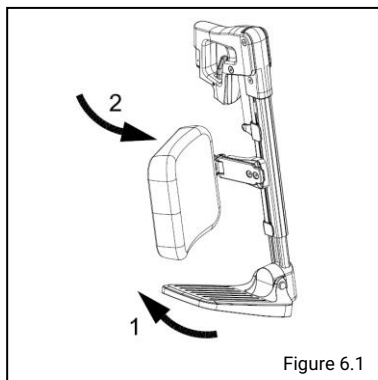


Figure 6.1

### Forward transfer

Flip the footplates up (fig 6.1).

Swing the calf plates to the side (if applicable) (fig 6.1).

If possible, swing the legrests to the side (fig 6.2).

Seat yourself in the chair.

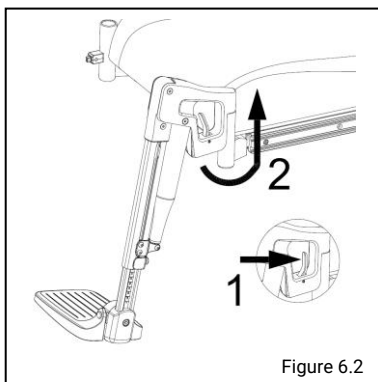
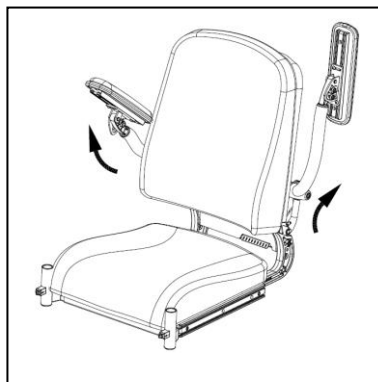


Figure 6.2

### Sideways transfer

Flip up the armrest(s) (fig 6.3).

Seat yourself in the chair.



## 7 Reducing the wheelchair size

The wheelchair can be reduced in size for transportation without a passenger. Any components of the wheelchair that can easily be detached should be removed. Store such components in a safe place. The backrest can also be folded down if the car's boot space is small.

- Remove the seat. See ch. 3.
- Remove the backrest. See ch. 3.
- Remove the legrests. See ch. 3.
- Remove the headrest. See ch. 3.
- Flip the backrest frame down. See ch. 3.

## 8 Maintenance

### 8.1 Maintenance table

It is recommended to have your wheelchair serviced by your dealer once a year or, in case of intensive use, every six months. The table below shows the maintenance activities you can perform yourself.

Frequency	Description
Monthly	Cleaning the upholstery, if necessary. See 8.2.

### 8.2 Cleaning the upholstery

Clean the upholstery with a damp cloth and household soap. Then wipe the upholstery dry with a soft dry cloth.



**Do not use organic solvents such as thinner, benzene or white spirit.  
Do not dry clean, iron or spin-dry the upholstery**



Scout Mobility BV B.V.  
Tiendschuur 5  
5768 SB Meijel  
The Netherlands

[info@scoutmobility.nl](mailto:info@scoutmobility.nl)  
[www.scoutmobility.nl](http://www.scoutmobility.nl)

**Dealer:**